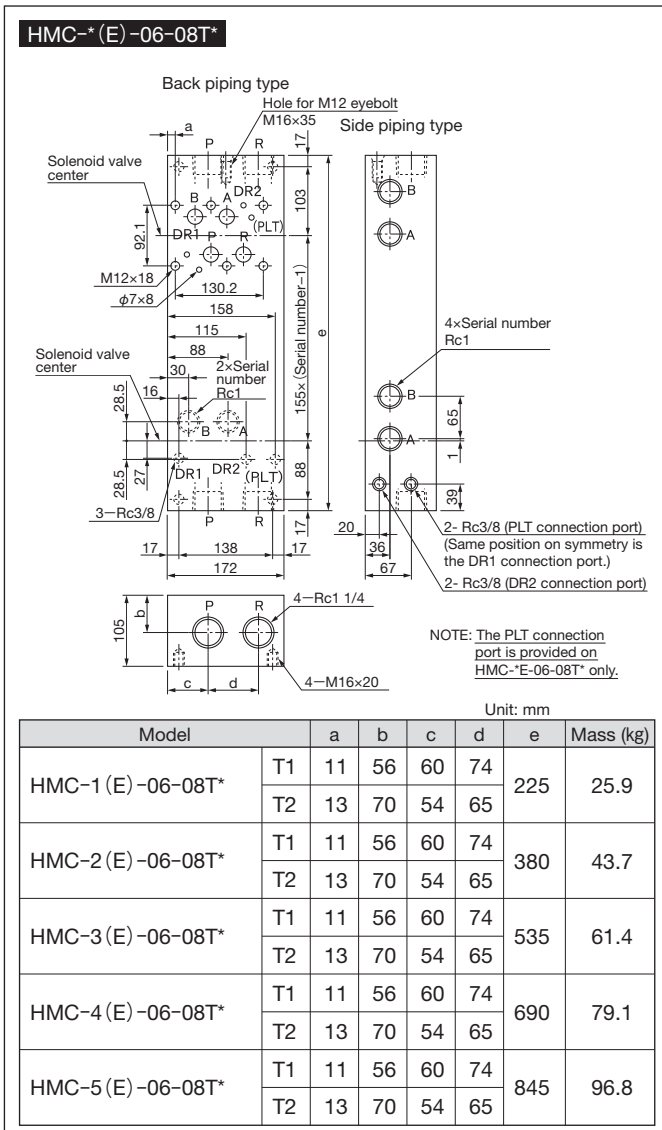
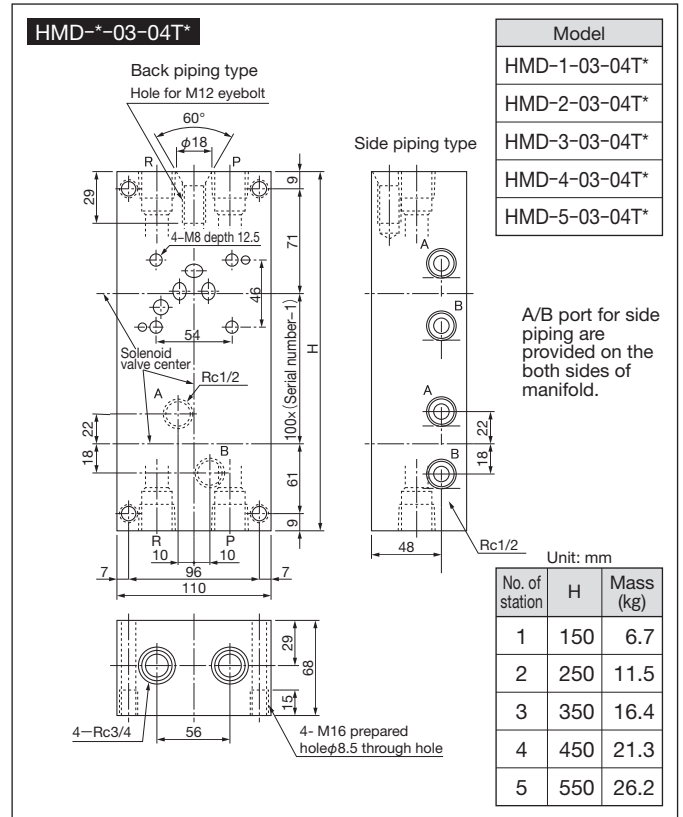
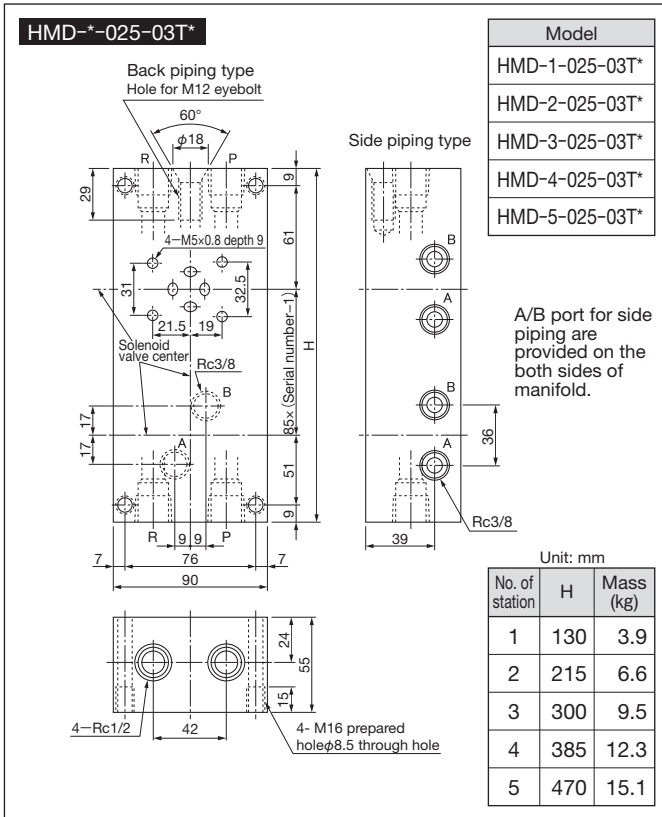
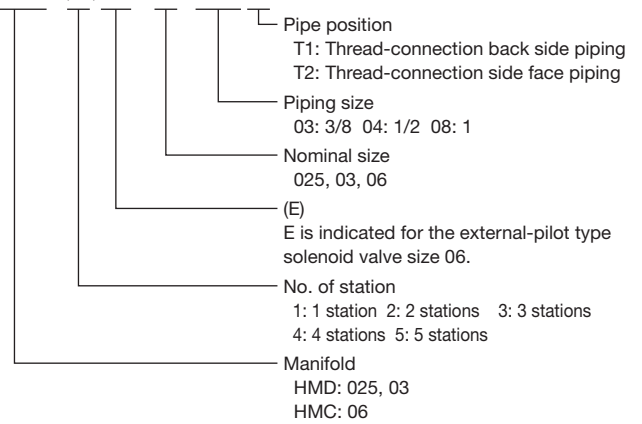


Outside dimensions



Description of the model designation

HM*-(E)-*-***



D

HY-TEGRA SYSTEM

Description of the model designation

HMD-1-025-03TY2

TY2: Thread connection, side face piping
 Pipe size 03: Rc3/8
 Nominal size of applicable valve
 No. of station: 1 to 11
 Manifold

Outside dimensions

HMD-*--025-03TY2

Unit: mm

No. of station	1	2	3	4	5	6	7	8	9	10	11
L	(A) + (C)	(A) + (B) + (C)	(A) + 2(B) + (C)	(A) + 3(B) + (C)	(A) + 4(B) + (C)	(A) + 5(B) + (C)	(A) + 6(B) + (C)	(A) + 7(B) + (C)	(A) + 8(B) + (C)	(A) + 9(B) + (C)	(A) + 10(B) + (C)
(Total Length (mm))	115	165	215	265	315	365	415	465	515	565	615

SPACER (Mounting size change plate)

Outside dimensions

HMD-025-03G1

Mass: 1.9kg

HMB-04-06G1

Mass: 8.8kg

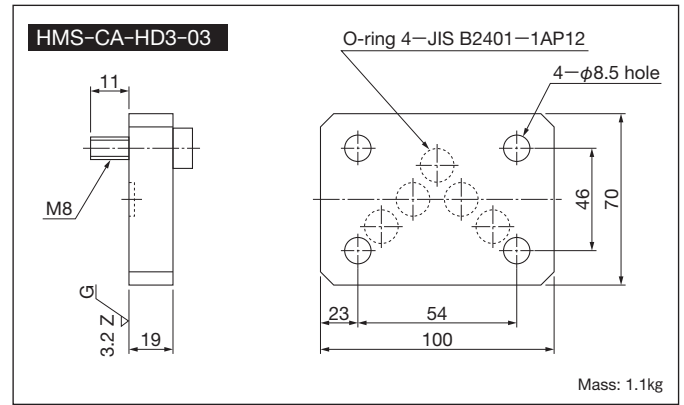
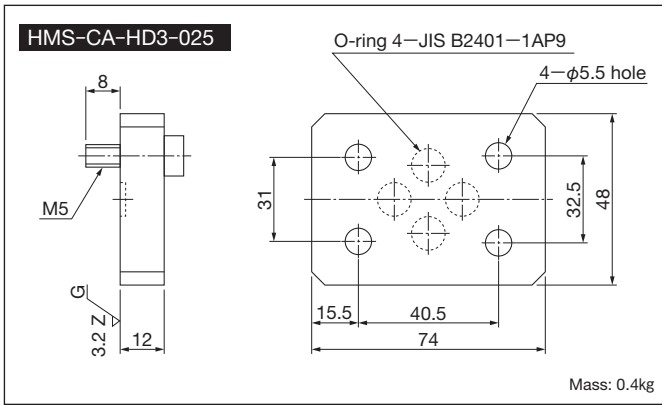
HMB-03-06G1

Mass: 9.2kg

D-68

PLATE

Outside dimensions



MOUNTING BOLTS

Hexagon socket head bolt

Nominal Size No. of Stacking tier	025	03	06
2	HKS-NA-5×65	HKS-NA-8×95	HKS-NA-12×145
3	HKS-NA-5×100	HKS-NA-8×150	HKS-NA-12×230
4	HKS-NA-5×135	HKS-NA-8×205	HKS-NA-12×315
5	HKS-NA-5×170	HKS-NA-8×260	HKS-NA-12×400

Stud bolt (with clamp nut)

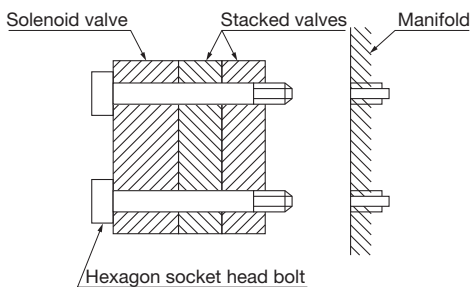
Nominal Size No. of Stacking tier	025	03	06
2	HKS-NC-5×71	HKS-NC-8×106	HKS-NC-12×157
3	HKS-NC-5×106	HKS-NC-8×161	HKS-NC-12×242
4	HKS-NC-5×141	HKS-NC-8×216	HKS-NC-12×327
5	HKS-NC-5×176	HKS-NC-8×271	HKS-NC-12×412

Straight dowel pin

Nominal Size No. of Stacking tier	03	06
2	—	HKS-NB-12×167
3	HKS-NP-5×90	HKS-NB-12×252
4	HKS-NP-5×145	HKS-NB-12×337
5	HKS-NP-5×200	HKS-NB-12×422

Examples

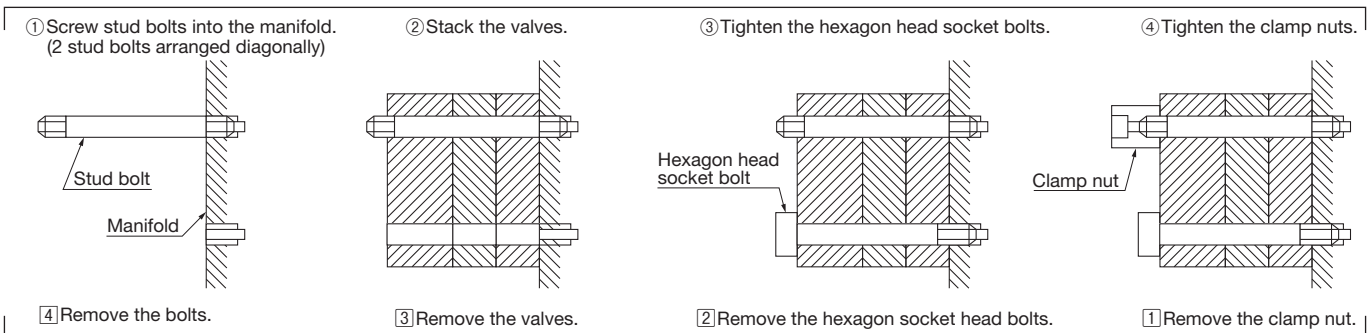
(1) When only hexagon socket head bolts are used



Mount the stacked valves to the manifold or remove them from it while hexagon socket head bolts are set through the stacked valves.
(For size 03 or 06, also use straight dowel pins.)

(2) When stud bolts and hexagon socket head bolts are used

Example installation order: ①→②→③→④



Example removal order: ①→②→③→④

◆◆◆ Cautions for Removal ◆◆◆

When loosening a clamp nut, the stud bolt may turn with the clamp nut to be removed.
If this happens, tighten the stud bolt again and then remove the hexagon socket head bolts.